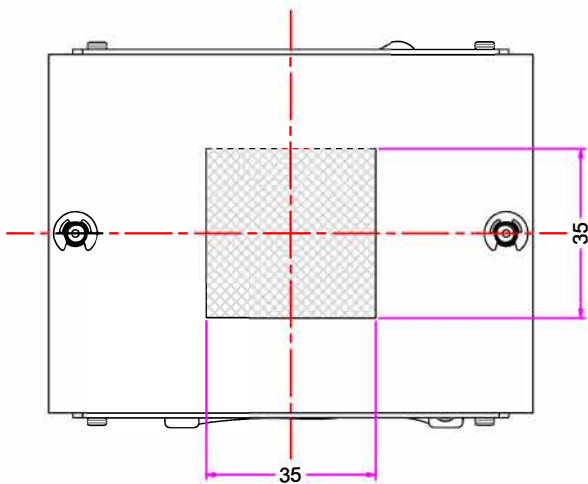
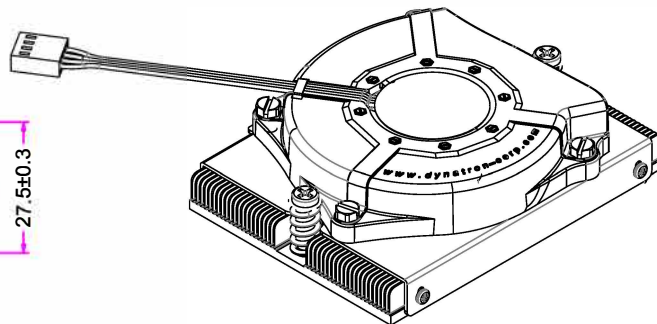
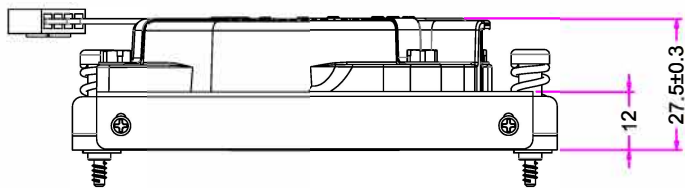
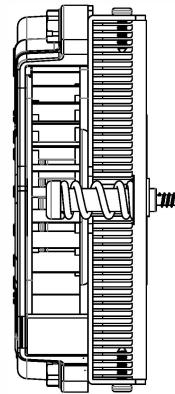
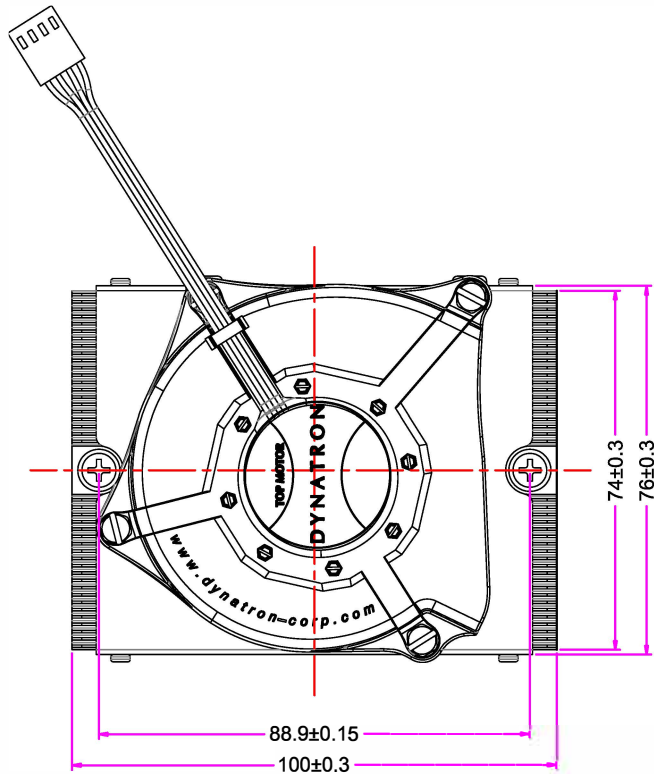


1	2	3	4	5	6	7
ITEM#	DESCRIPTION		CHECKER	DATE		
1	Initial Release		LANG	08/29/12		



9	THERMAL GREASE, PRE-PRINTED	TIG830SP	1
8	HEATSINK, SKIVING FIN	ALUMINUM 6061	1
7	C-RING	STEEL	2
6	SPRING	SWP (890G)	2
5	SCREW, HEATSINK, THREAD # 6-32	STEEL (1210G)	2
4	SCREW, BLOWER MONUTING	STEEL	4
3	SCREW, BLOWER COVER MOUNTING	STEEL	4
2	COVER, BLOWER	ALUMINUM	1
1	BLOWER, DB127515BU - PWM, 6000RPM	ALUMINUM FRAME	1
ITEM#	DESCRIPTION	MATERIAL	QTY.

	NAME	DATE
DRAWN BY	engr	08 / 29 / 2012
CHECKED BY	LANG	08 / 29 / 2012
ENG.APPROVED		
MFG.APPROVED	-	-



TOP MOTOR

DYNATRON CORPORATION

TITLE: **OEM 1U Active Cooler T062**

(sample CHR-187)

BOM & Overall Dimension Drawing

CONFIDENTIAL DOCUMENT

THIS DRAWING CONTAINS INFORMATION PROPRIETARY TO DYNATRON CORPORATION AND DYNAEON INDUSTRIAL CO., LTD. ANY REPRODUCTION, DISCLOSURE, OR USE OF THIS DRAWING IS EXPRESSLY PROHIBITED EXCEPT AS DYNATRON CORPORATION AND DYNAEON INDUSTRIAL CO., LTD. MAY OTHERWISE AGREE TO IN WRITING.

VIEW	
UNITS	MM

DWG. No:

DYN-BD-T062

REV.

00